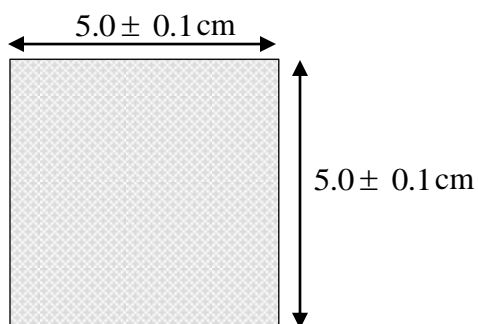


## Worksheet 6

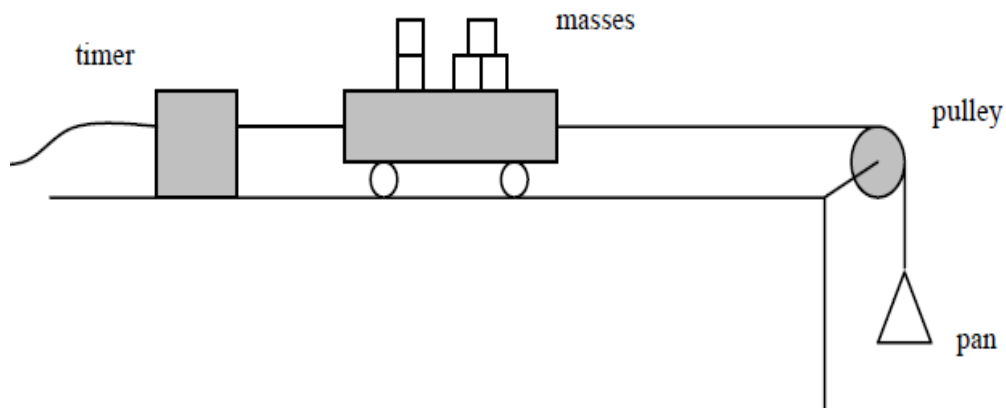
### Year 13 Physics

Write the answers in your Exercise Book.

1. A student measured the length of side of a square as  $5.0 \pm 0.1$  cm



- (a) What is the **percentage** error in the measurement? (1 mark)
- (b) Calculate the **area** of the square with its associated uncertainty. (1 mark)
2. In the experiment on '**Gravitational field**', the following set-up was used.



- (a) Write an **aim** for the experiment. (1 mark)
- (b) Highlight the key points of the **procedure** to conduct this experiment. (3 marks)
- (c) Describe how to determine the acceleration from the ticker time tape. (1 mark)